

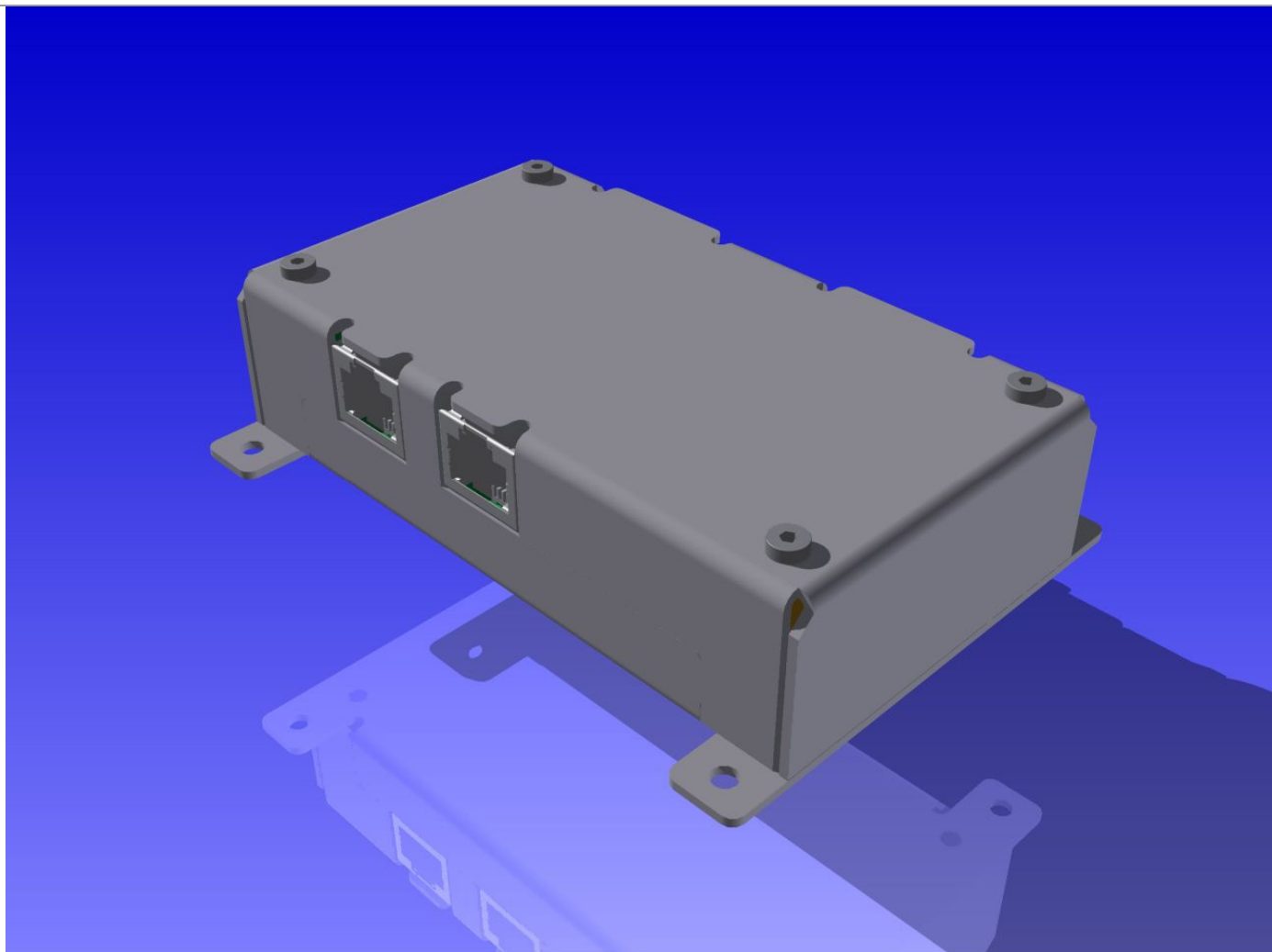
R&R RR-P-496/497 VGA over ethernet-cable

dimensions
housing

approximate 84 x 116 mm
aluminium anodized

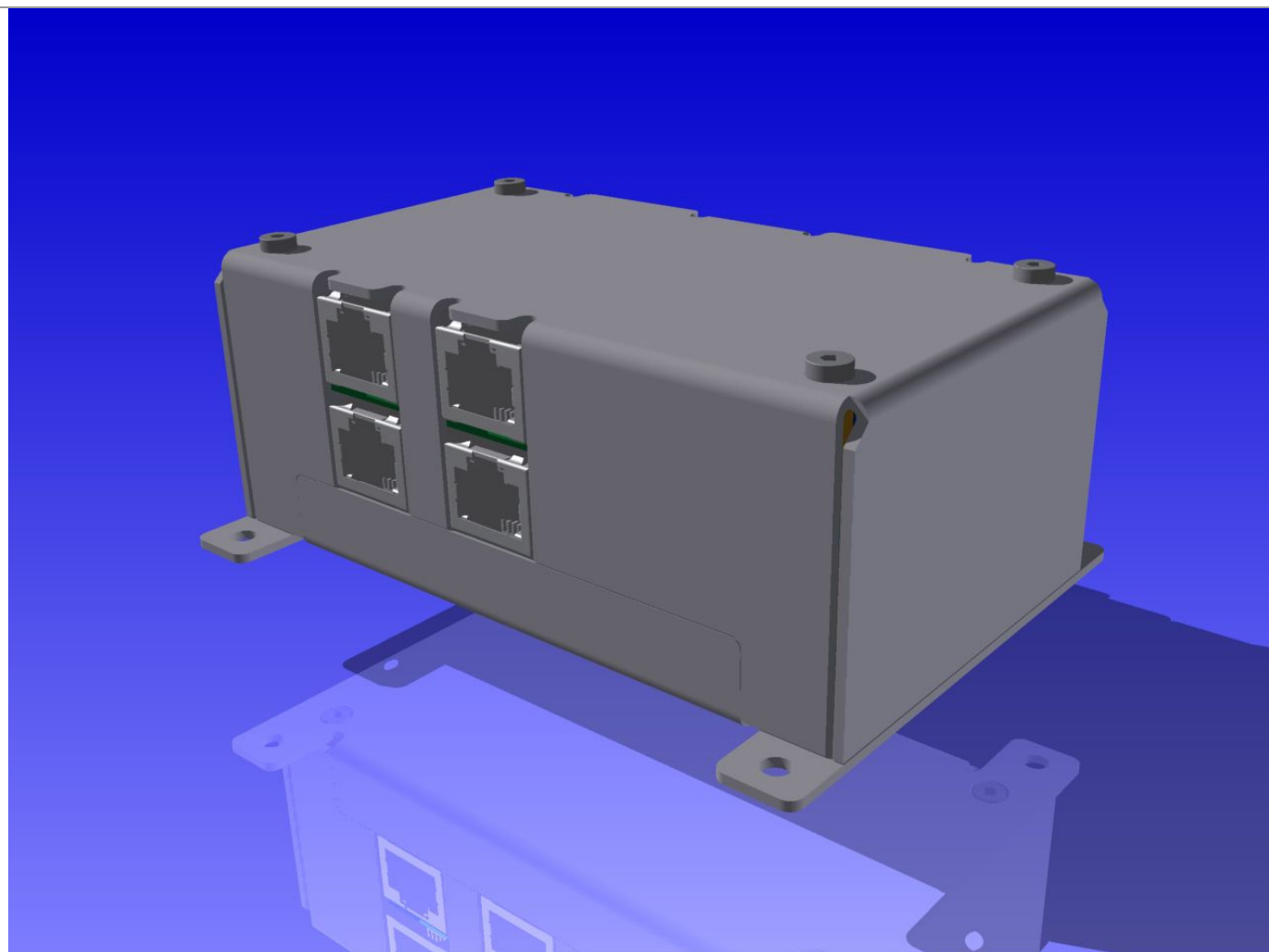
power supply

28 volts DC nominal (operating from 18 to 34 volts)
power supply ground and signal ground are isolated
power connector 9 pin sub-D male



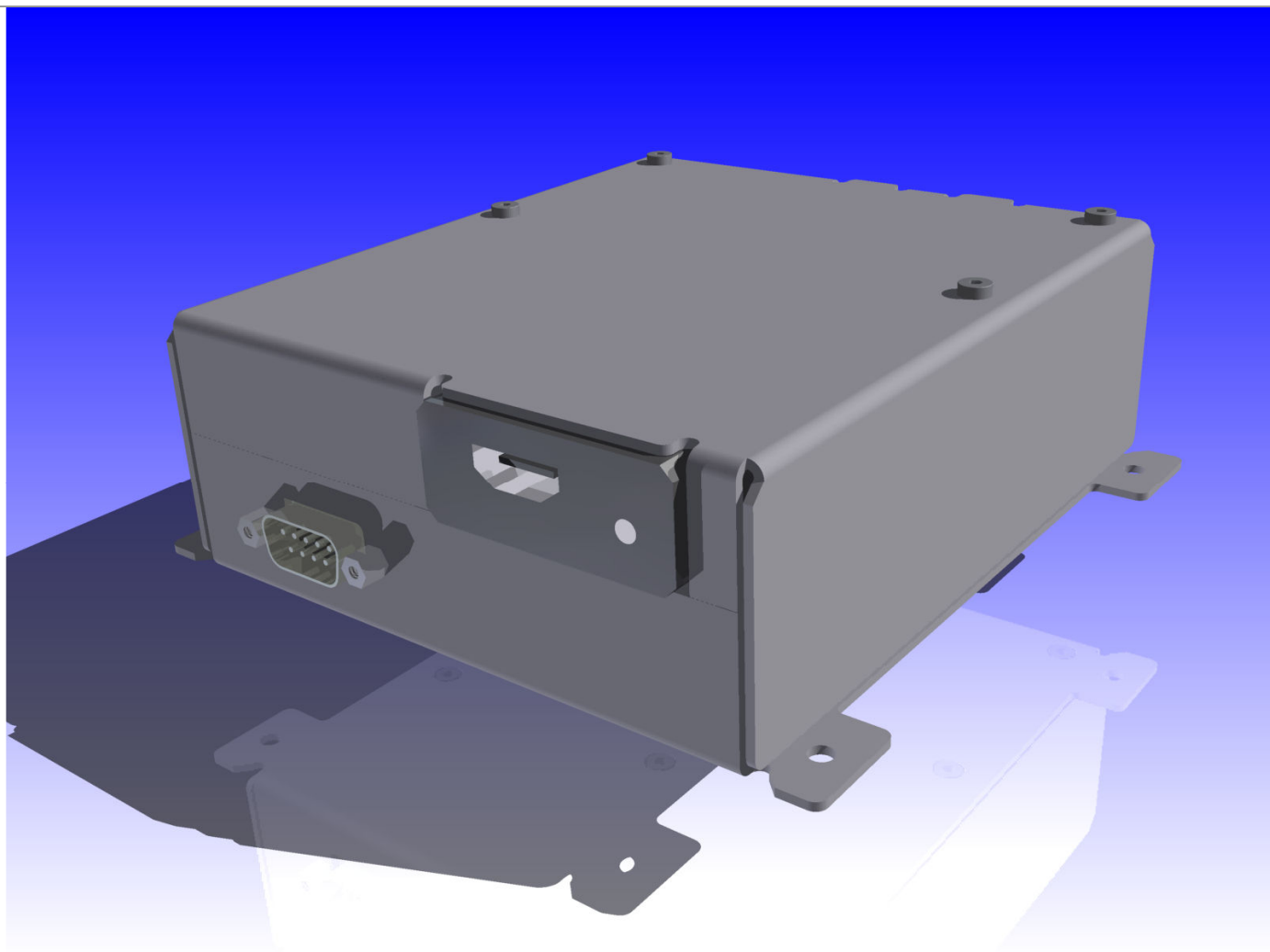
RR-P-496-2x VGA-Transmitter 2-channel

drawing	DNR 18380
input:	high density 15 pin sub-D female pin assignment match to standard PCs ↔ monitors
	power supply 9pin Sub-D male 28VDC / 2W
output	2 x RJ45-connector (8 pin) 3 x symmetric output approx. 100 ohms impedance
bandwidth transmitter-circuit	350 MHz at -3dB
weight	approx. 0,15kg



RR-P-496-4x VGA-Transmitter 4-channel

drawing	DNR18519
input:	high density 15 pin sub-D female pin assignment match to standard PCs \leftrightarrow monitors power supply 9pin Sub-D male 28VDC / 4W
output	4 x RJ45-connector (8 pin) 3 x symmetric output approx. 100 ohms impedance
bandwidth transmitter-circuit	350 MHz at -3dB
weight	approx. 0,2 kg



RR-P-496-4x-HDMI => balanced VGA-Transmitter 4-channel

drawing	DNR18580
input:	HDMI
Supports *ANY* resolution and refresh rate in RGB mode up to 1920x1080 at 60Hz. Includes all of the popular HDTV resolutions including: 480i/480p/576i/576p/720p/1080i/1080p48/50/60	
Internal switch: RGB / YPbPr (YUV)	
power supply	9pin Sub-D male 28VDC / 7W
output	4 x RJ45-connector (8 pin) 3 x symmetric output approx. 100 ohms impedance
bandwidth transmitter-circuit	350 MHz at -3dB
weight	approx. 0,35kg

pin-assignment VGA-transmitter RR-P-496

power supply 9 pin Sub-D male	
pin	signal
1	+28V DC
6	NC
2	0V-DC
7	NC
3	NC
8	NC
4	NC
9	case
5	NC

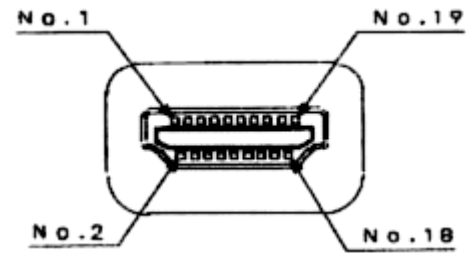
input 15 pin high density Sub-D female	
pin	signal
1	red
6	red-shield
11	signal-ground
2	green
7	green shield
12	NC
3	blue
8	blue-shield
13	h-synch
4	signal-ground
9	NC
14	v-synch
5	signal-ground
10	signal-ground
15	NC

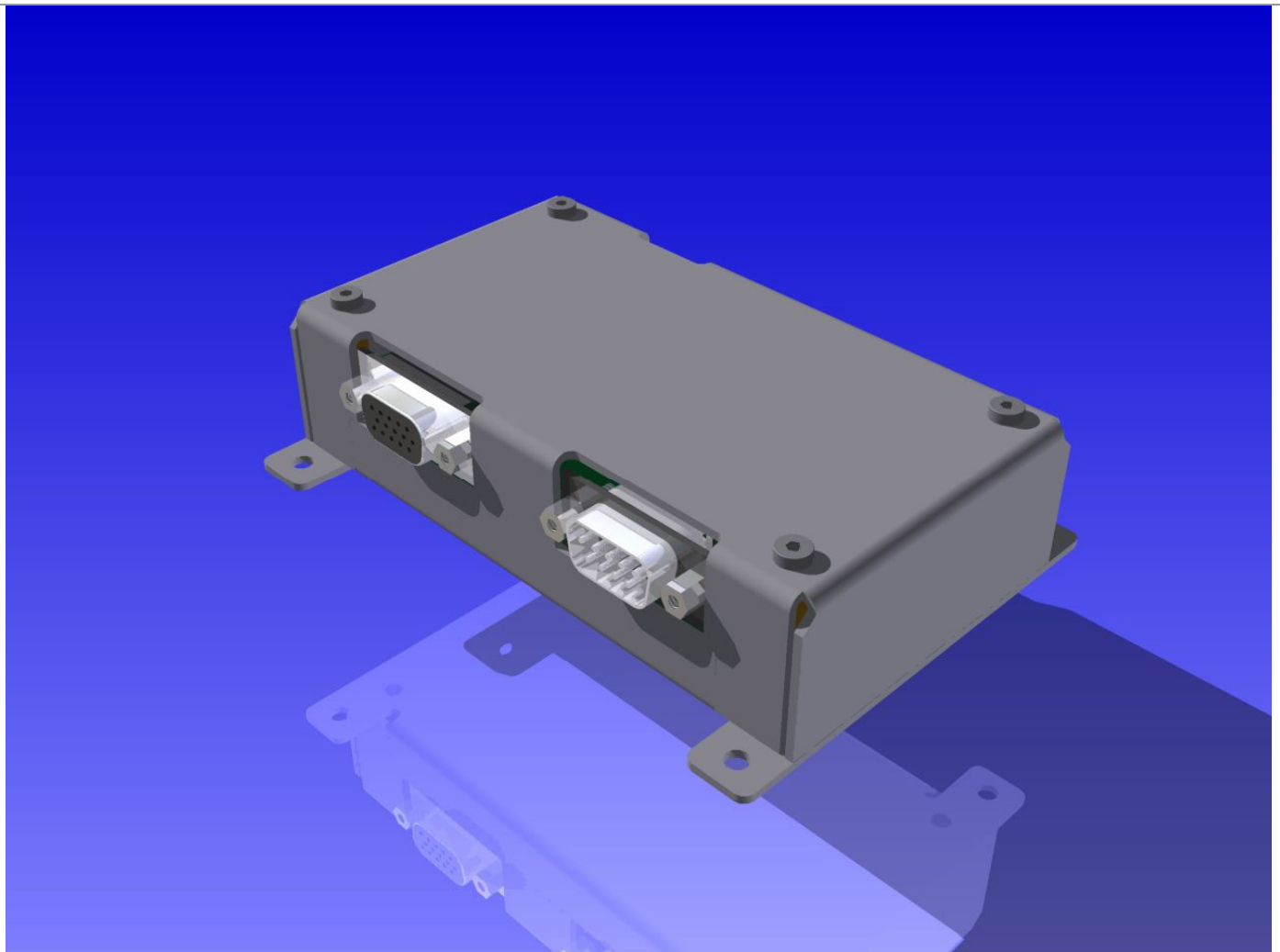
output RJ45 (8 pin) female		
pin	signal	
1	pair 3 +	red
2	pair 3 -	
3	pair 2 +	signal-ground
4	pair 1 +	green
5	pair 1 -	
6	pair 2 -	signal-ground
7	pair 4 +	blue
8	pair 4 -	

pin-assignment HDMI



- Pin1: TMDS Data2+
- Pin2: TMDS Data2 Shield
- Pin3: TMDS Data2-
- Pin4: TMDS Data1+
- Pin5: TMDS Data1 Shield
- Pin6: TMDS Data1-
- Pin7: TMDS Data0+
- Pin8: TMDS Data0 Shield
- Pin9: TMDS Data0-
- Pin10: TMDS Clock+
- Pin11: TMDS Clock Shield
- Pin12: TMDS Clock-
- Pin13: CEC
- Pin14: Reserved
- Pin15: SCL
- Pin16: SDA
- Pin17: DDC/CEC EARTH
- Pin18: +5 Volt powersupply
- Pin19: Hot plug detect





RR-P-497 VGA-Receiver

drawing	DNR 18382
input	RJ45-connector (8 pin) 3 x symmetric input approx. 100 ohms impedance
power supply	9pin Sub-D male 28VDC / 2W
output	high density 15 pin sub-D female pin assignment match to standard PCs ↔ monitors
differential input range	±2.3V
bandwidth receiver circuit	550 MHz at -3dB
weight	approx. 0,15 kg

pin-assignment receiver RR-P-497

power supply 9 pin Sub-D male	
pin	signal
1	+28V DC
6	NC
2	0V-DC
7	NC
3	NC
8	NC
4	NC
9	case
5	NC

input RJ45 (8 pin) female		
pin	signal	
1	pair 3 +	red
2	pair 3 -	
3	pair 2 +	signal-ground
4	pair 1 +	green
5	pair 1 -	
6	pair 2 -	signal-ground
7	pair 4 +	blue
8	pair 4 -	

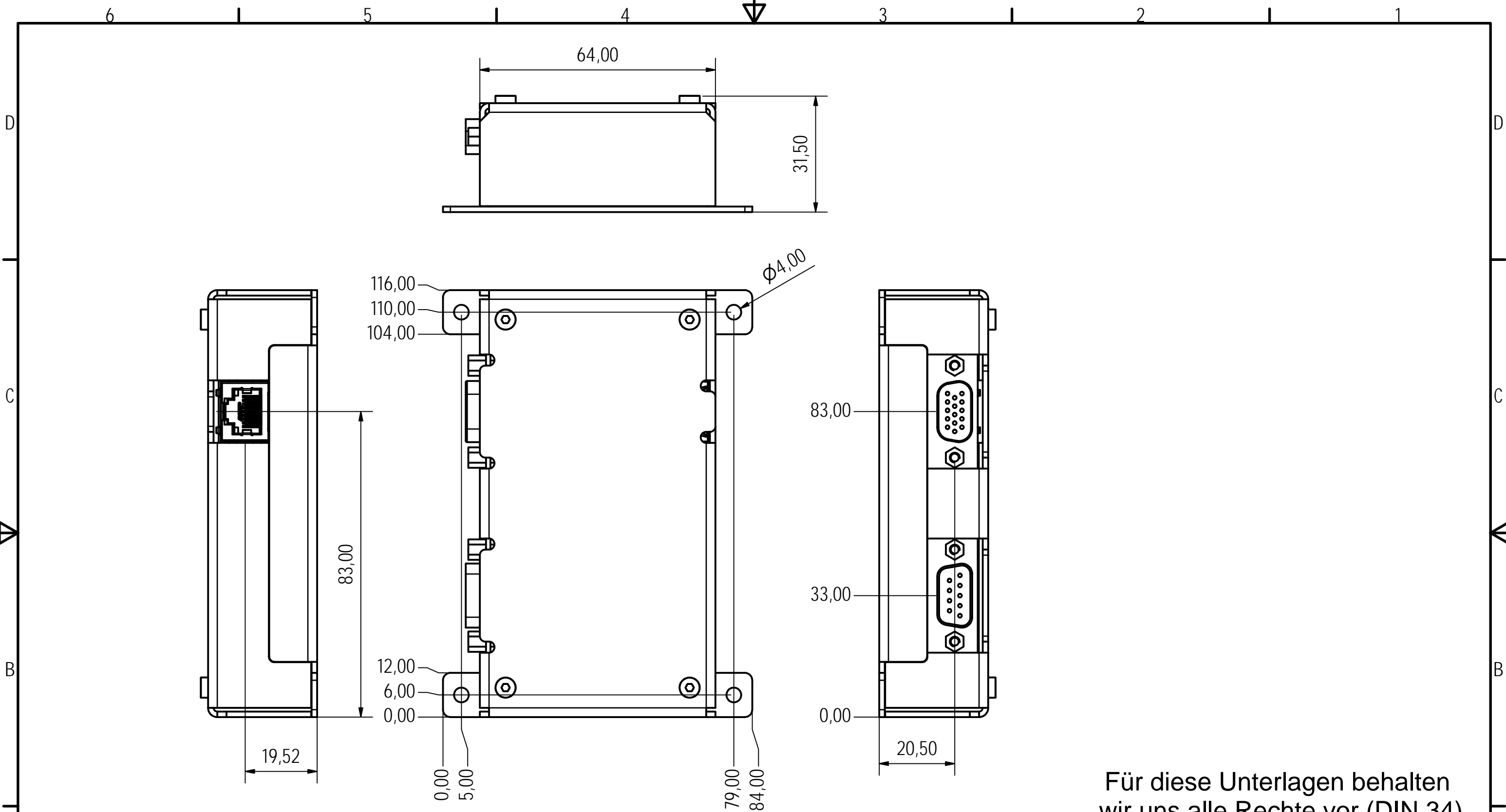
output 15 pin high densisty Sub-D female	
pin	signal
1	red
6	red-shield
11	signal-ground
2	green
7	green shield
12	signal-ground
3	blue
8	blue-shield
13	h-synch
4	signal-ground
9	NC
14	v-synch
5	signal-ground
10	signal-ground
15	signal-ground

cable and bandwidth

The bandwidth depends on of cable-type and length.

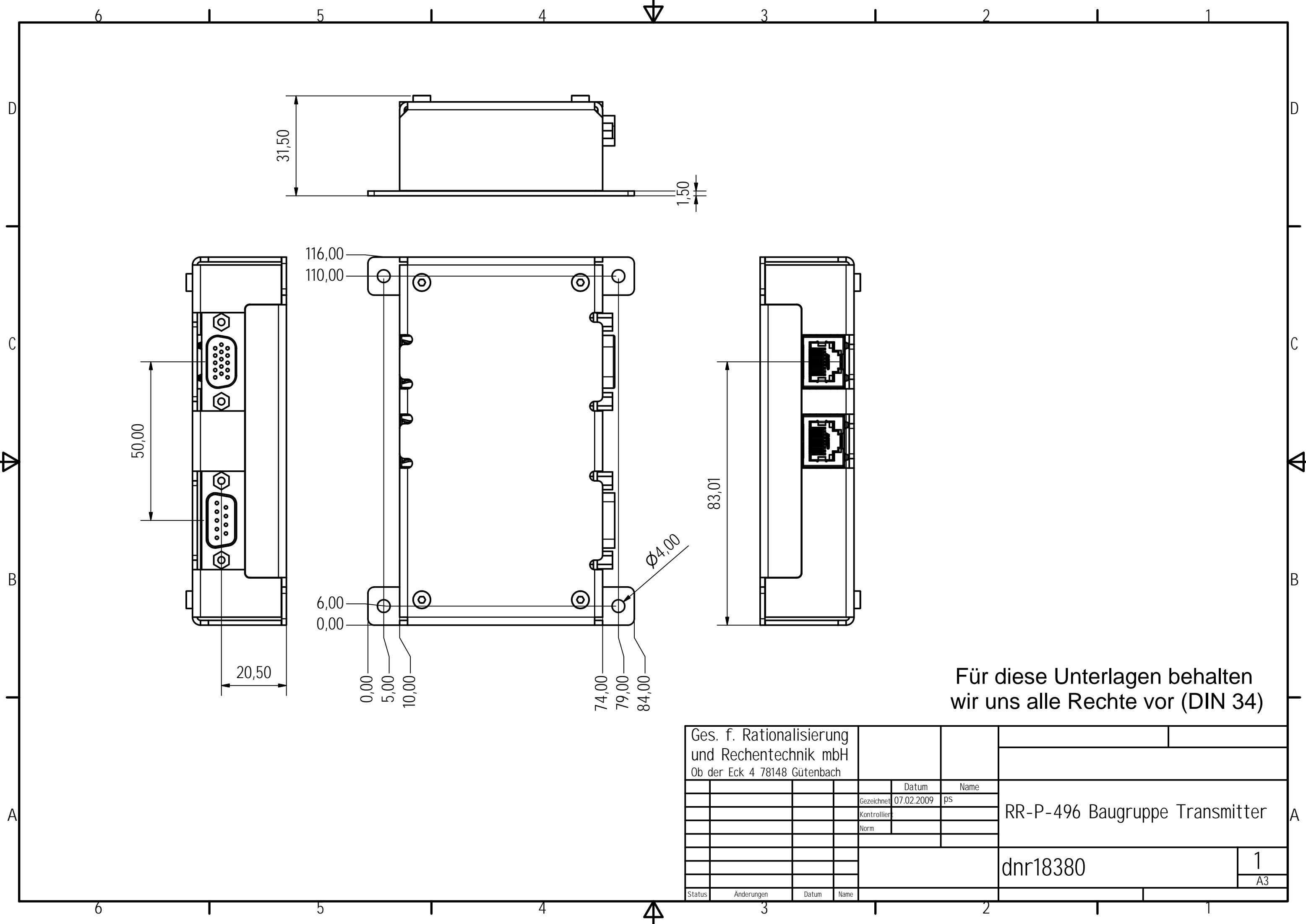
Appendix

drawing DNR 18380, DNR 18382, DNR 18519, DNR 18580



Für diese Unterlagen behalten wir uns alle Rechte vor (DIN 34)

Ges. f. Rationalisierung und Rechentechnik mbH Ob der Eck 4 78148 Gütenbach								
				Datum	Name	RR-P-496 Baugruppe Receiver		
				Gezeichnet	07.02.2009			ps
				Kontrolliert				
				Norm				
						dnr18382		
							1	
							A3	
Status	Anderungen	Datum	Name					



Für diese Unterlagen behalten wir uns alle Rechte vor (DIN 34)

Ges. f. Rationalisierung und Rechentechnik mbH Ob der Eck 4 78148 Gütenbach							
				Datum	Name		
				Gezeichnet	07.02.2009	ps	RR-P-496 Baugruppe Transmitter
				Kontrolliert			
				Norm			
							dnr18380
Status	Anderungen	Datum	Name				1 A3

6 5 4 3 2 1

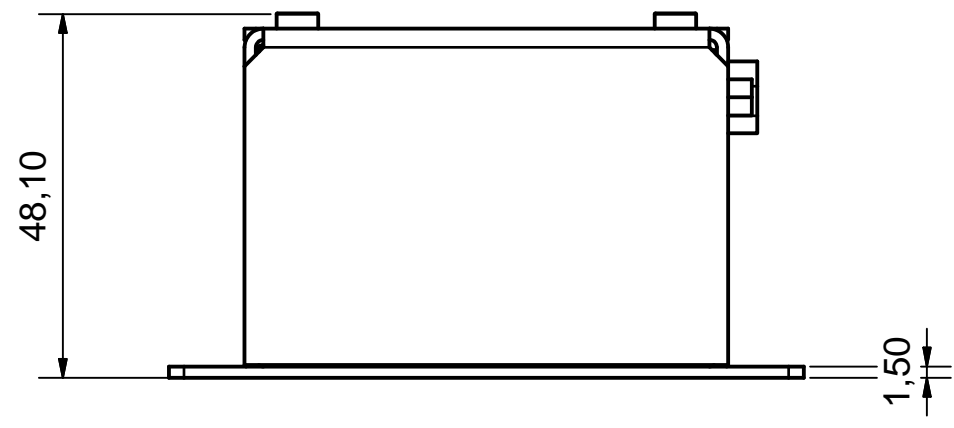
D D

C C

B B

A A

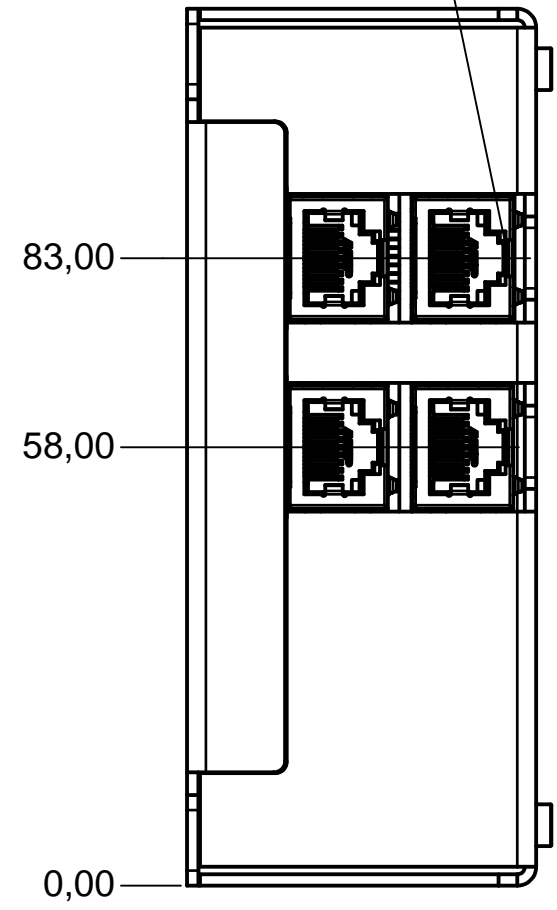
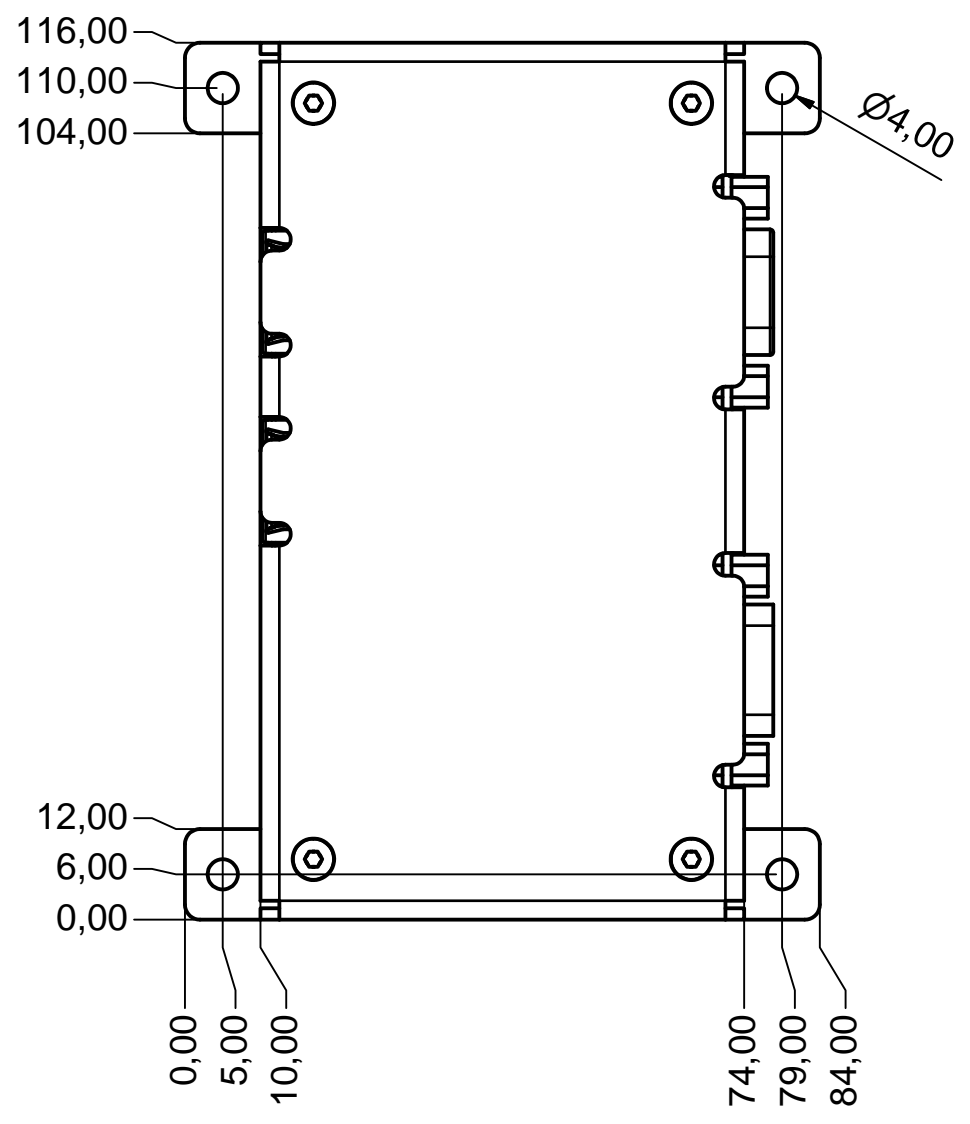
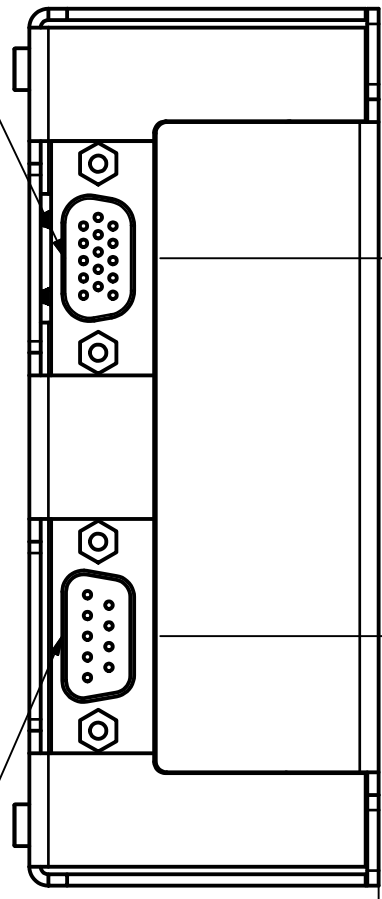
6 5 4 3 2 1



RJ45, balanced VGA OUT

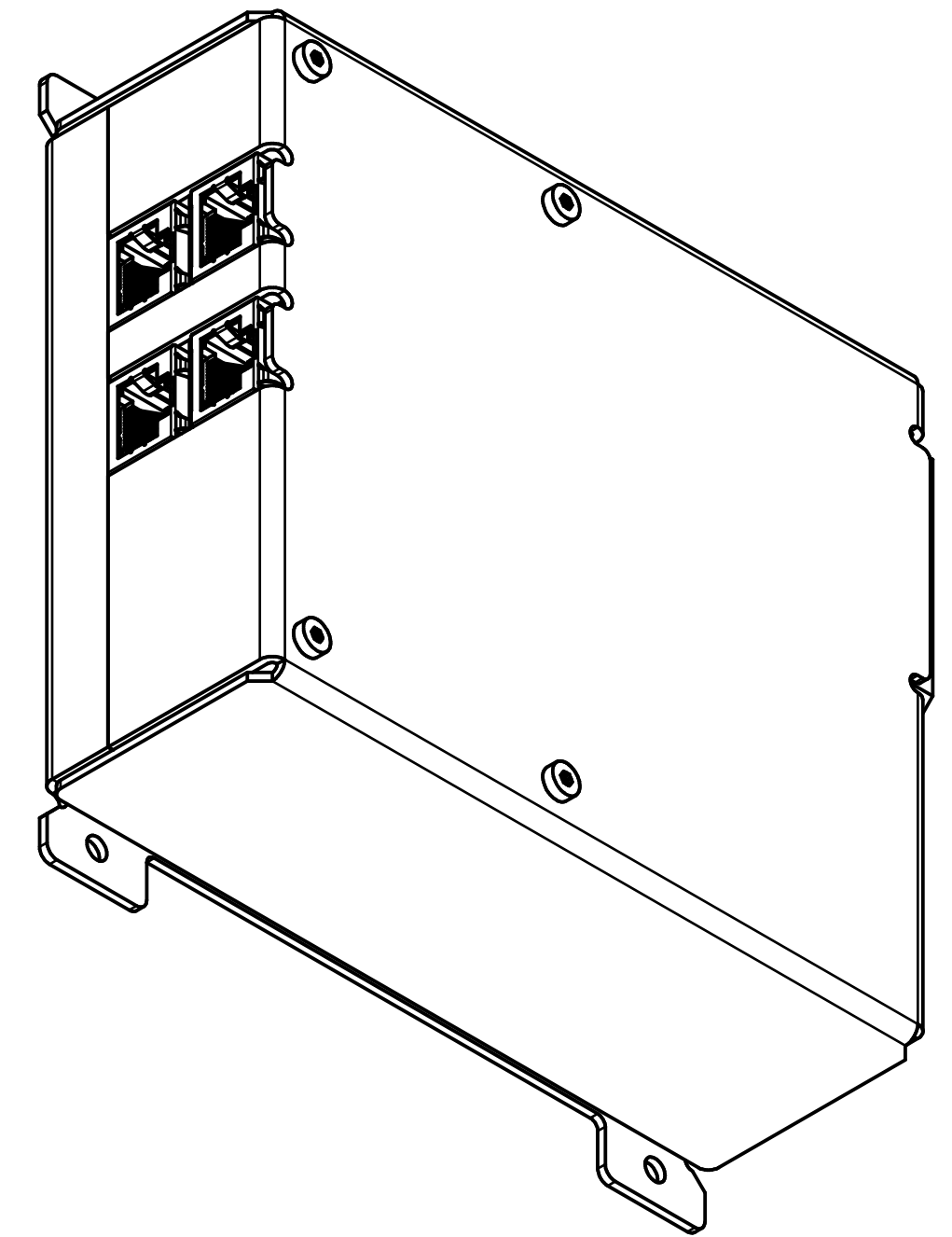
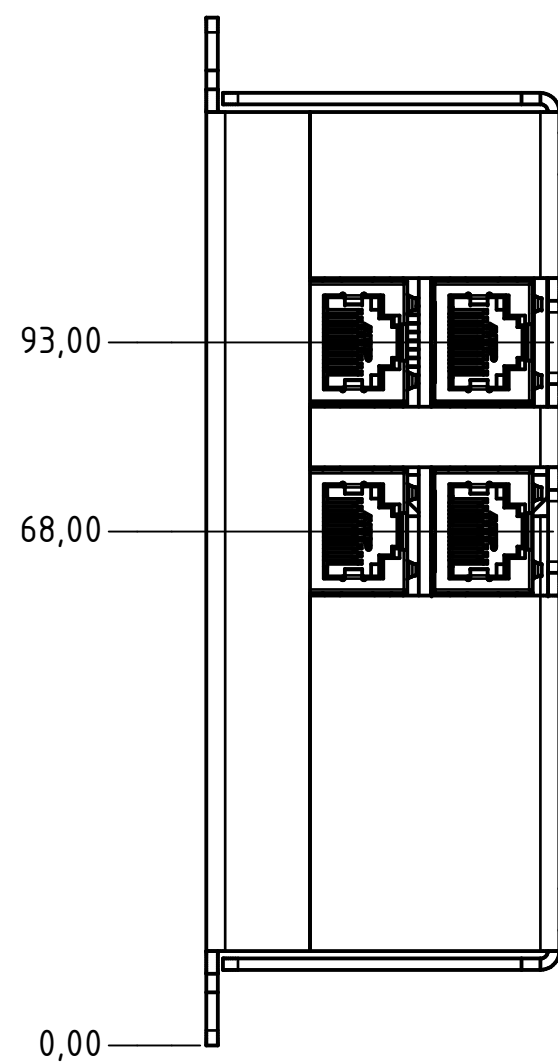
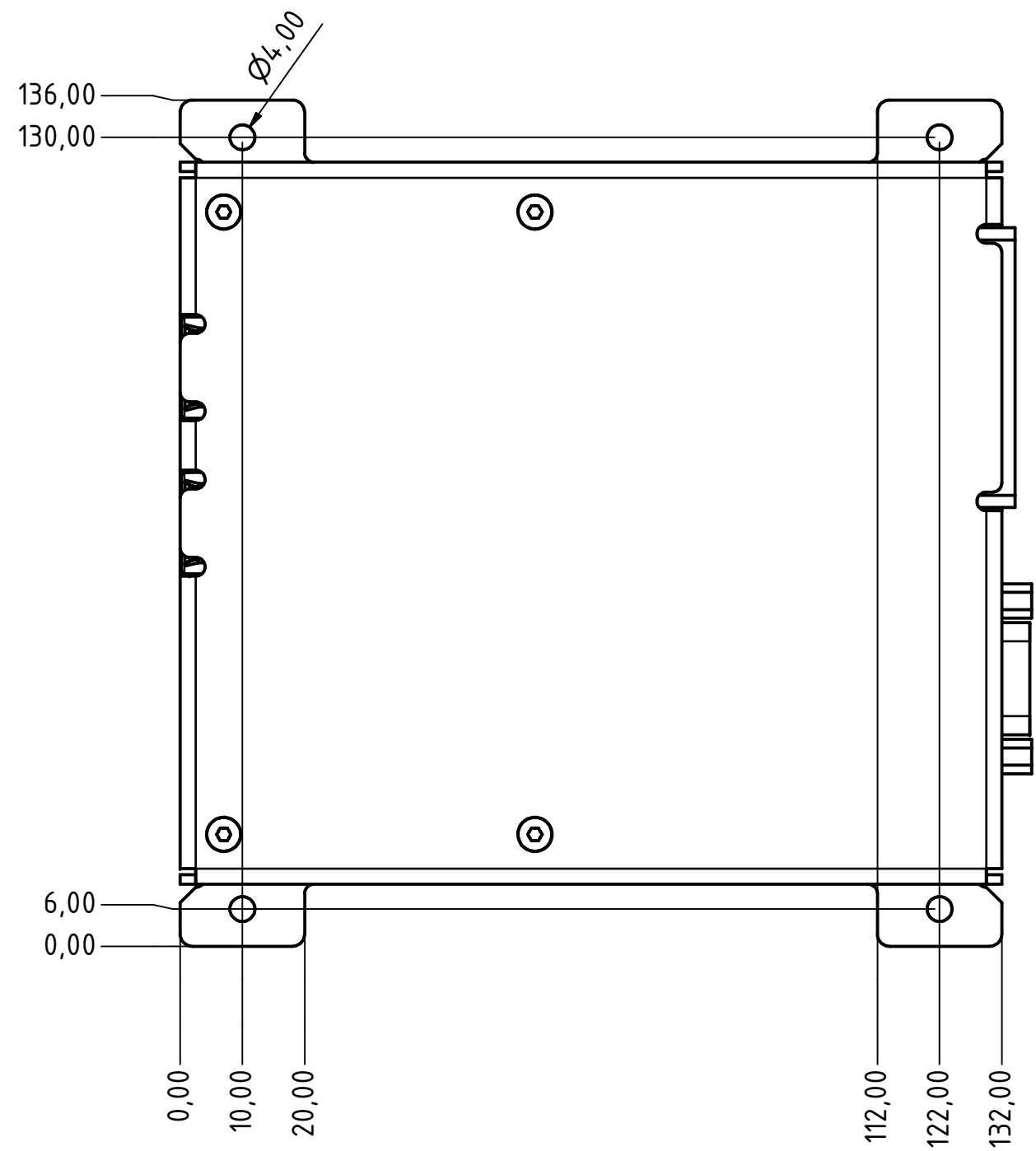
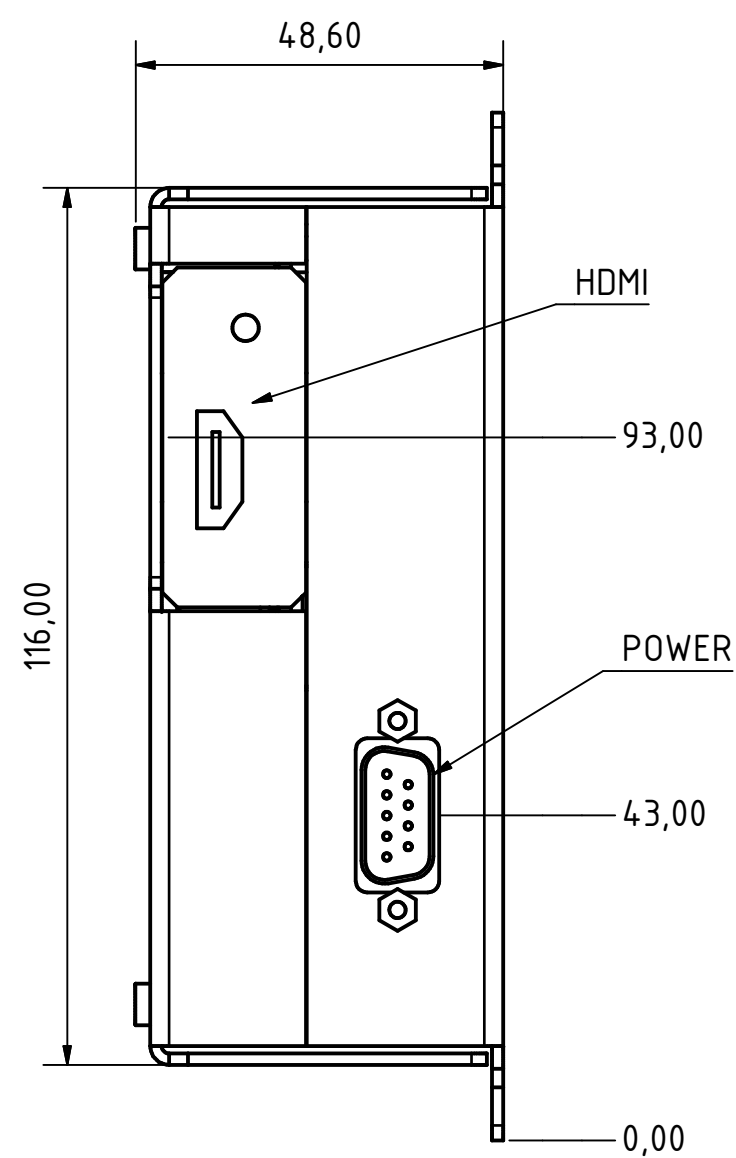
VGA-IN

power supply



Für diese Unterlagen behalten wir uns alle Rechte vor (DIN 34)

Ges. f. Rationalisierung und Rechentechnik mbH Ob der Eck 4 78148 Gütenbach								
				Datum	Name	RR-P-496 Transmitter 4-channel		
				Gezeichnet	25.03.2009			ps
				Kontrolliert				
				Norm				
						dnr18519		
							1	
							A3	
Status	Anderungen	Datum	Name					



Ges. f. Rationalisierung und Rechentechnik mbH Ob der Eck 4 78148 Gütenbach					
		Datum	Name		
	Gezeichnet	25.05.2009	ps	RR-P-496 HDMI=> balanced-VGA Transmitter	
	Kontrolliert				
	Norm				
				dnr18580	
				1	
				A2	
Status	Änderungen	Datum	Name		

Für diese Unterlagen behalten wir uns alle Rechte vor (DIN 34)