

R&R HI-LO-DIVIDER ML105-XX

Full travel system	nominal approx. 960 mm travel > modul height
Dimensions approx. ML105-01	250mm x 2390mm x 988mm See DNR22766 2 x ML105 + window frame
Weight assembly	2 x lift + retainer bars Approx. 48kg
Mounting	Free standing design base point mounted
Customs tariff:	84289090
Abuse load x,y	Approx 1400N at height 1500mm



Balancer

Constant force roll-off springs
2x 138N L#16297

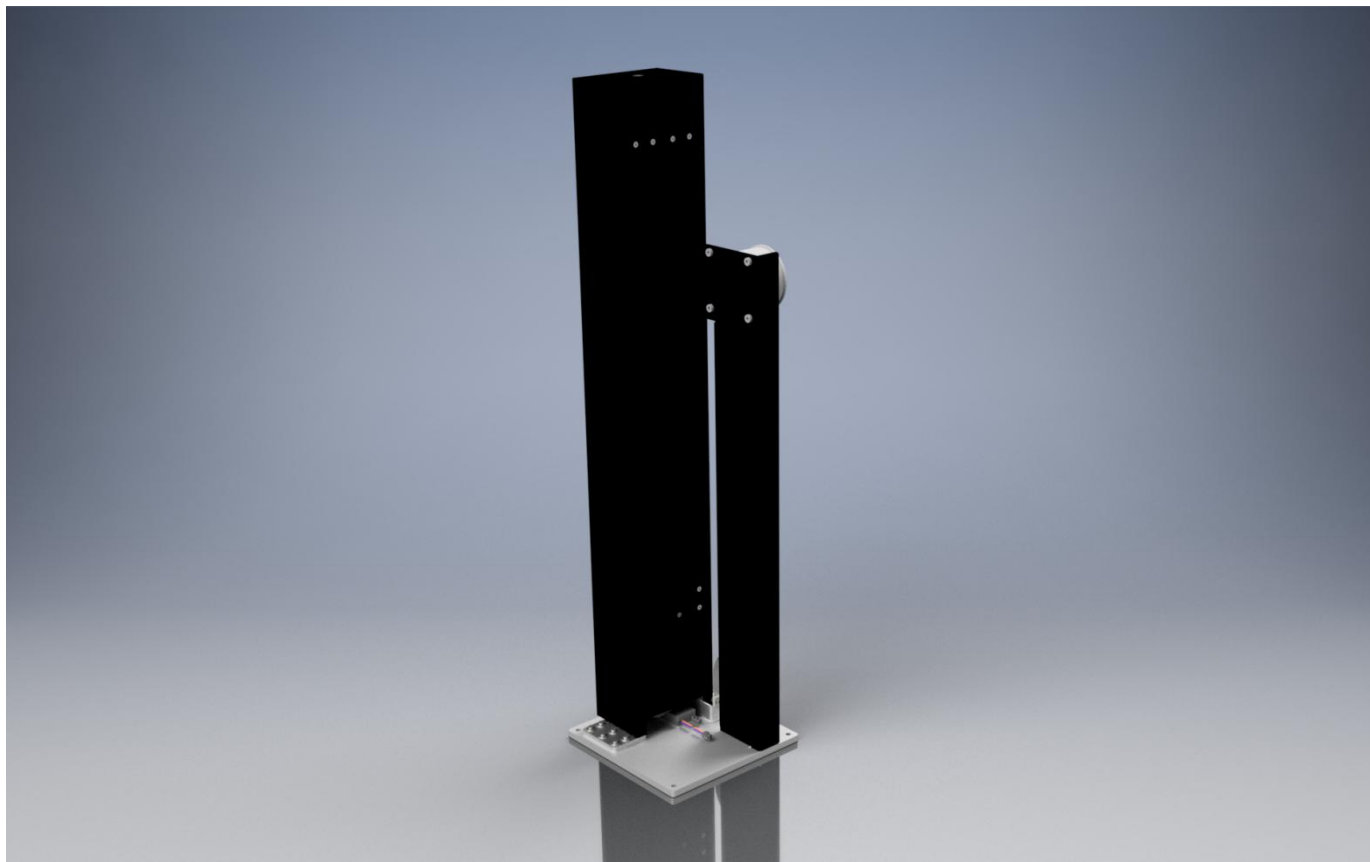
Safety

....
Deployed position with spring catch
Tool-less manual override

secured stowed position
Electromechanical lock



The noise level depends on the mounting, speed, load
Locking noises might be higher



2 x Lift unit ML105

Dimensions

Cover profile
(visible moving part)

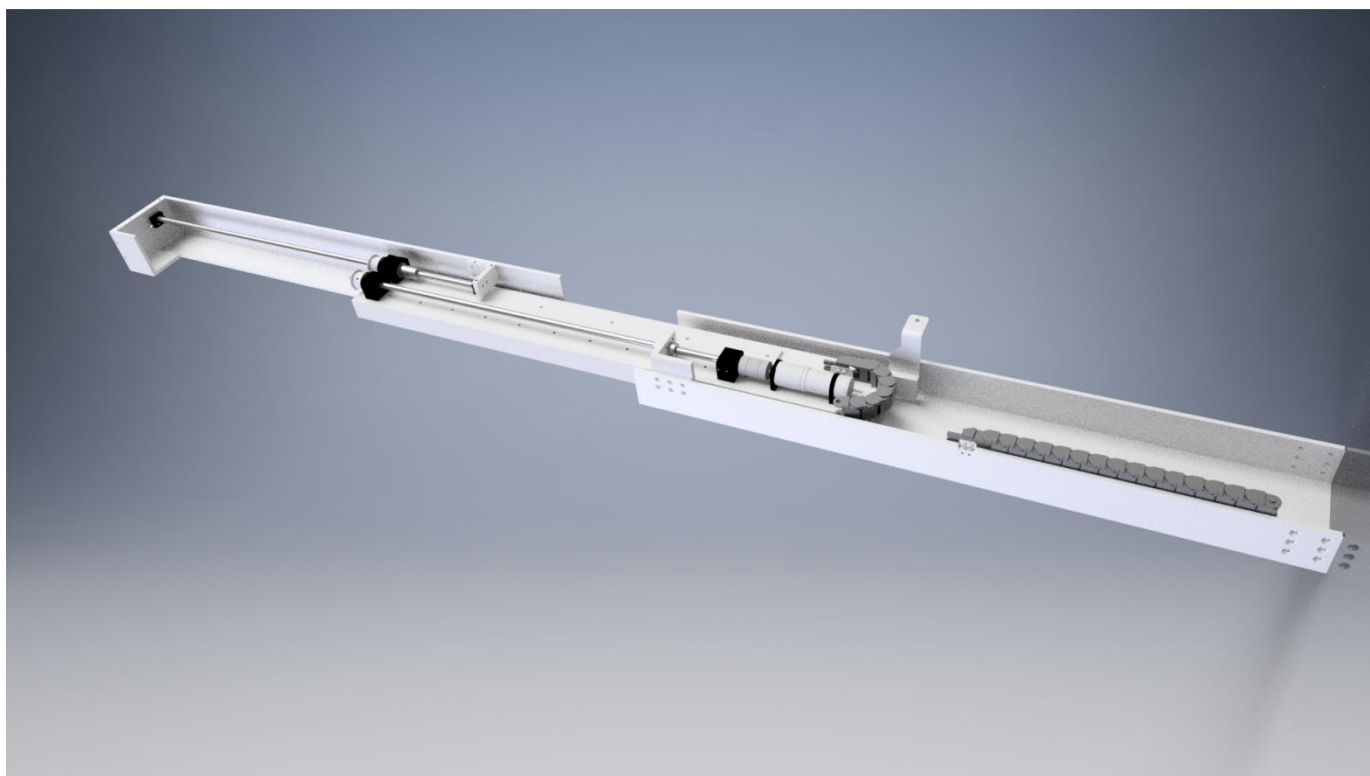
See DNR22727

Weight per unit approx. 22 kg

Approx. 250 mm x 250 mm x 988 mm

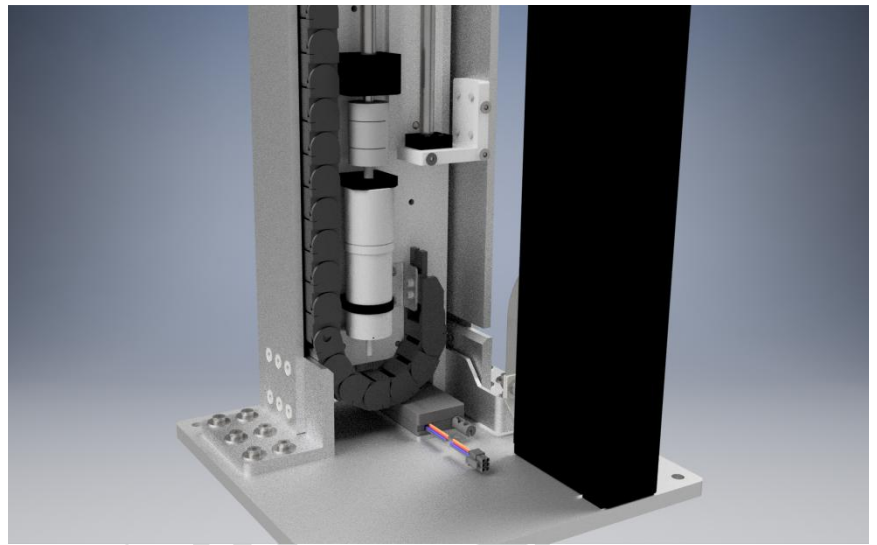
Aluminium black anodized Satin finish

Approx 150 mm x 100 mm x 967 mm



2 cascaded ball screws for a
smooth travel
10mm diameter,
2,5 mm pitch,
lifetime lubrication





Motor

Low noise brushless dc motor

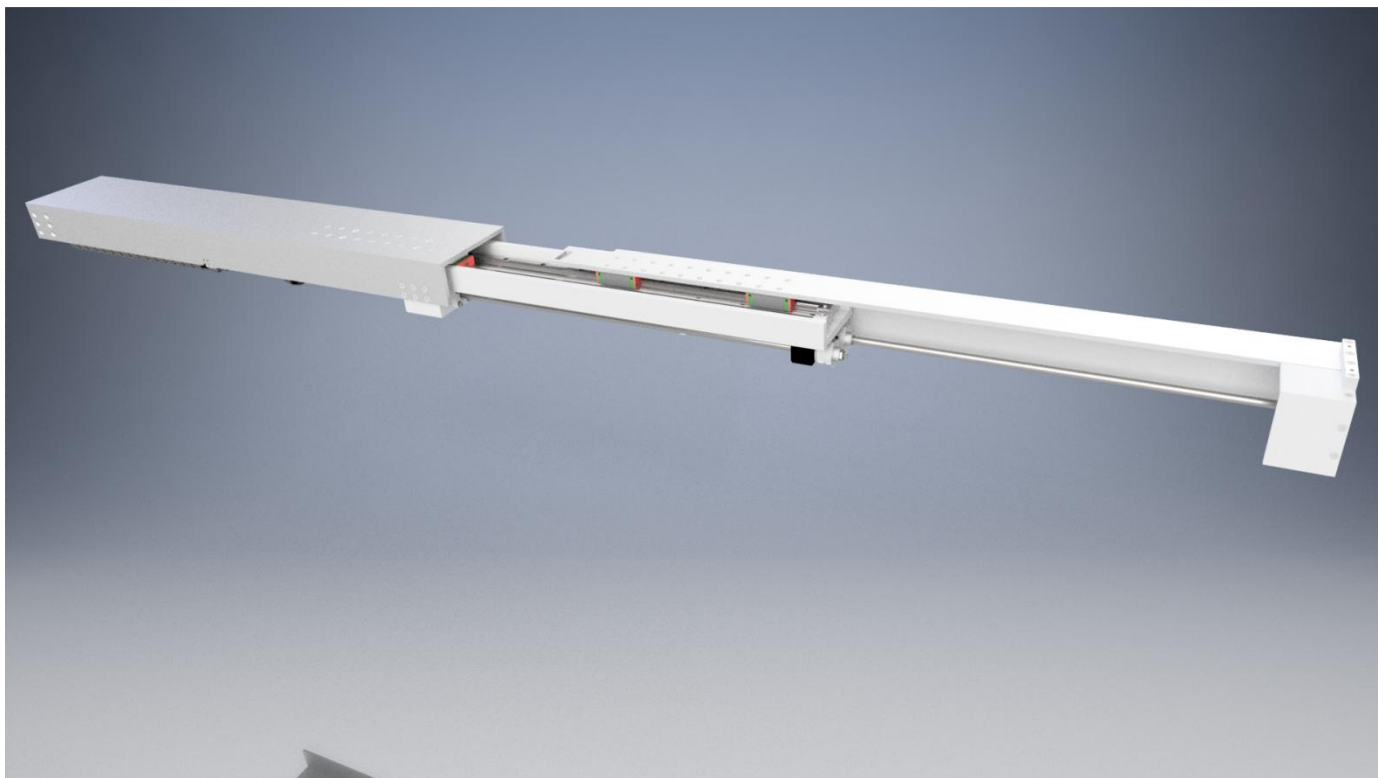
Gearhead

Low noise planetary gear head

Power transmission

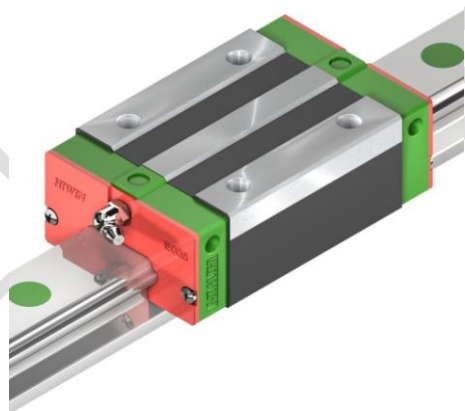
Low noise toothed belt drive

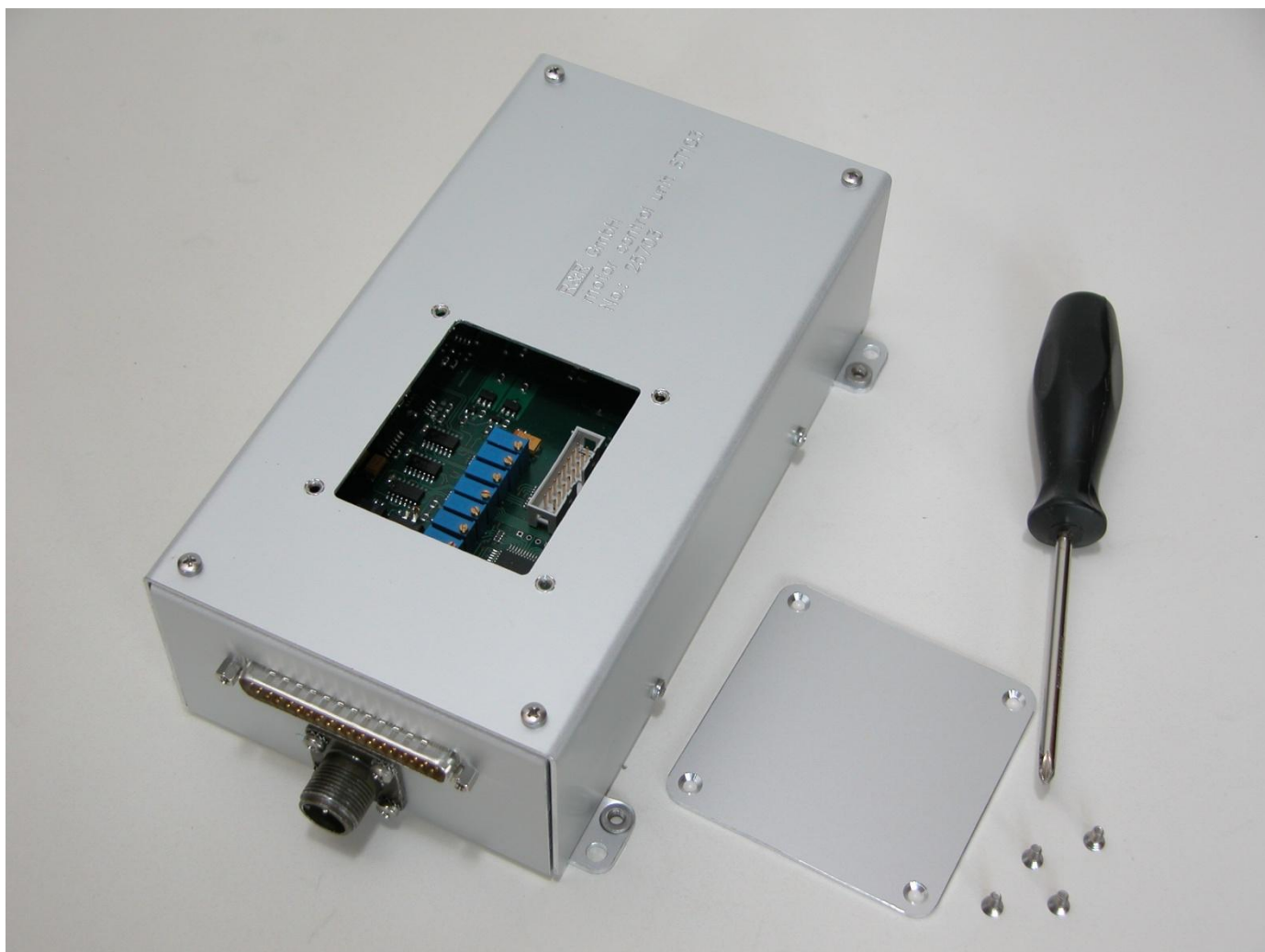
PRELIMINARY
PRELIMINARY
PRELIMINARY



Linear guide ways

2 cascaded linear guide ways
2 x 2 carriages
lifetime lubrication





Housing similar to control box ST103 see picture above

Control box

Motor controller STXXX (TBD)

synchronous movement of 2 motor
16 bit microcontroller, field programmable
end position programmable

Housing

Dimensions W x L x H

Aluminum anodized colourless or black
approx. **TBD!**

Power supply

115V AC 50 ... 800Hz, 150W

Motor Interface (2x)
with synchronous mode

SUB-D 15pin (female)
1 x brushless dc motor
2 x debounced limit switches

Service interface

SUB-D 9pin (male)
RS232C

Control interface SUB-D 25pin (female)
 8 x IN (0V/24V)
 4 x OUT (0V/24V high side switch)
 1 x RS422 (extra connector 9pol female D-SUB)

Safety Adjustable over current shut down

weight Approx. 1 kg

power connector	
A	L
B	N
C	PE
Type	Series 97 3pin flanged connector 97-3102A-10SL-3P
Matching type	Series 97 3pin connector female 97-3106A-10SL-3S

Base panel TBD

Attention!

The mounting area must be able to take the load and torque of the unit!

REV.	DESCRIPTION	DATE	PAGES	NAME
01	First Release	03.11.2015	ALL	P. Seewang