

R&R RR-P-523 ISPC-converter 10 channel interface card

housing
dimensions
inputs
outputs
power supply
weight

aluminium anodized
approx. 96 x 89 x 29 mm
optocoupler
transistor outputs 30V / 30mA
up to 30V
132g

Pin assignment

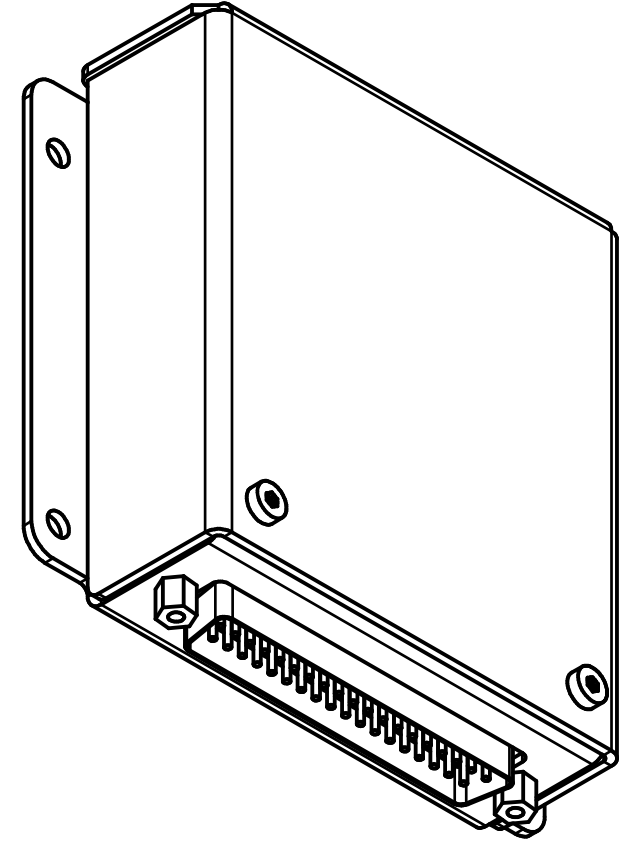
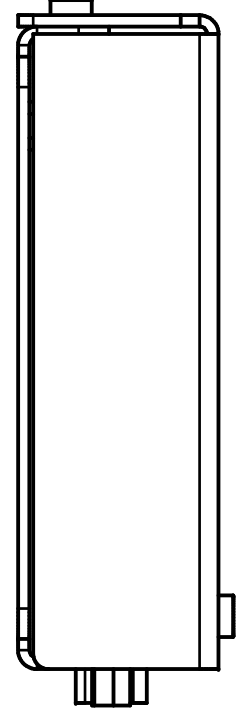
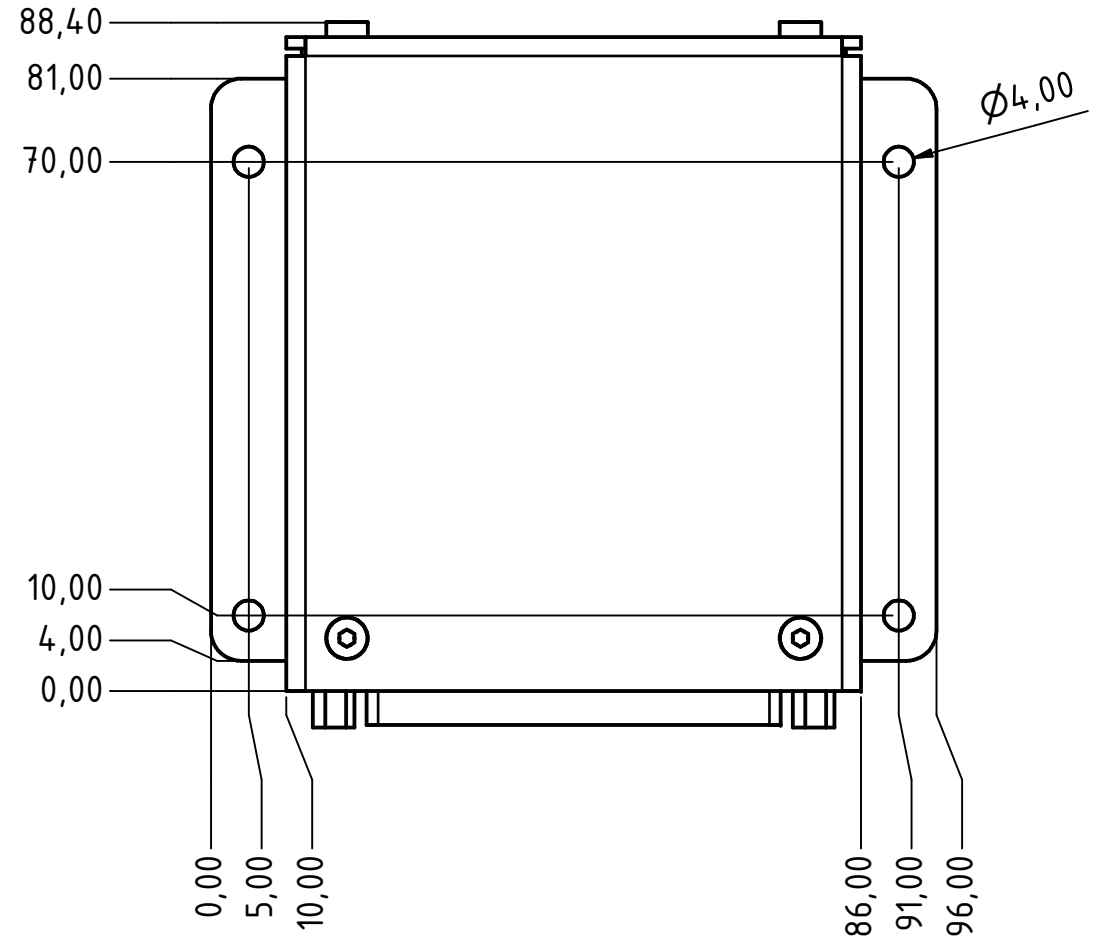
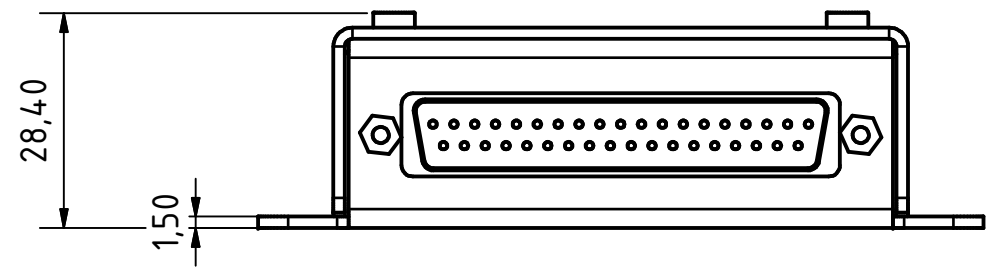
P1		
male 37 pin D-sub-connector		
signal		signal
(power) +28V	1	
	20	Input9 +
(ground) 0V	2	
	21	Input9 -
(case) PE	3	
	22	Output 0
Input1+	4	
	23	Output 1
Input1 -	5	
	24	Output 2
Input2+	6	
	25	Output 3
Input2 -	7	
	26	Output 4
Input3+	8	
	27	Output 5
Input3 -	9	
	28	Output 6
Input4+	10	
	29	Output 7
Input4 -	11	
	30	Output 8
Input5+	12	
	31	Output 9
Input5 -	13	
	32	Output 10
Input6+	14	
	33	-
Input6 -	15	
	34	-
Input7+	16	
	35	-
Input7 -	17	
	36	Input10 +
Input8+	18	
	37	Input10 -
Input8 -	19	

absolute maximum ratings	
Stresses exceeding the absolute maximum ratings may damage the device. The device may not function or be operable above the recommended operating conditions and stressing the parts to these levels is not recommended. In addition, extended exposure to stresses above the recommended operating conditions may affect device reliability. The absolute maximum ratings are stress ratings only.	
Operating temperature	-40 to +85 °C
LED forward current	80 mA
Collector-Emitter Breakdown Voltage	30 V
Continuous collector current	150mA

Input characteristics			
The input stage is builded with silicon-diode and IR-LED (optocoupler) There no current limiting resistor in the input stage.			
	min	typ	max
forward current			30mA
forward voltage @ $I_{fwd} = 20mA$		1.7V	2.1V
reverse voltage	300V		

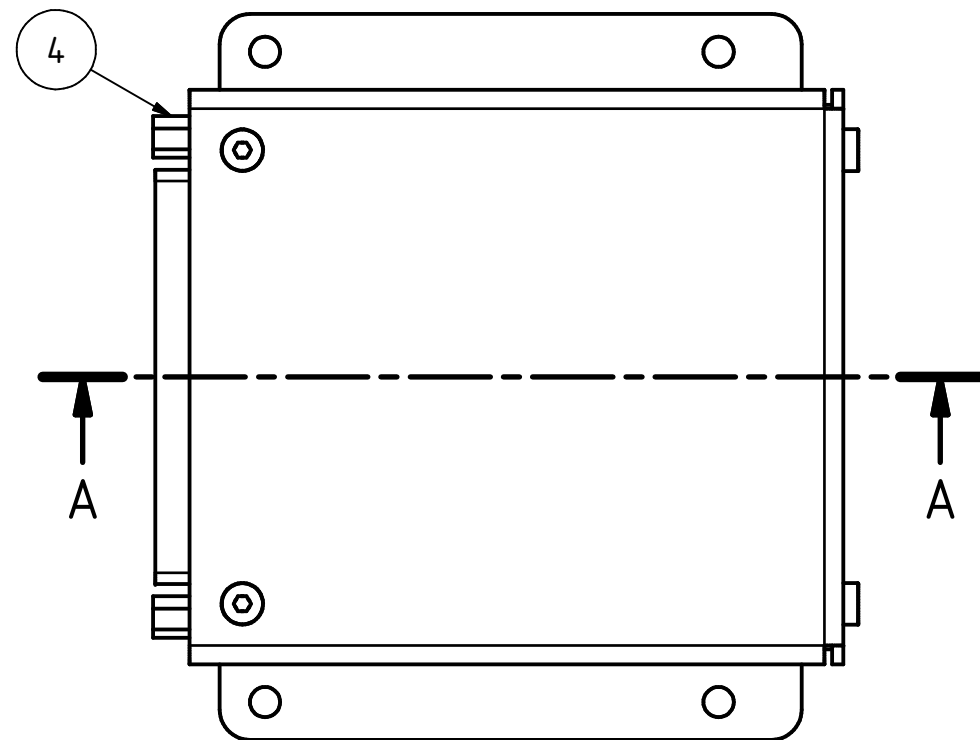
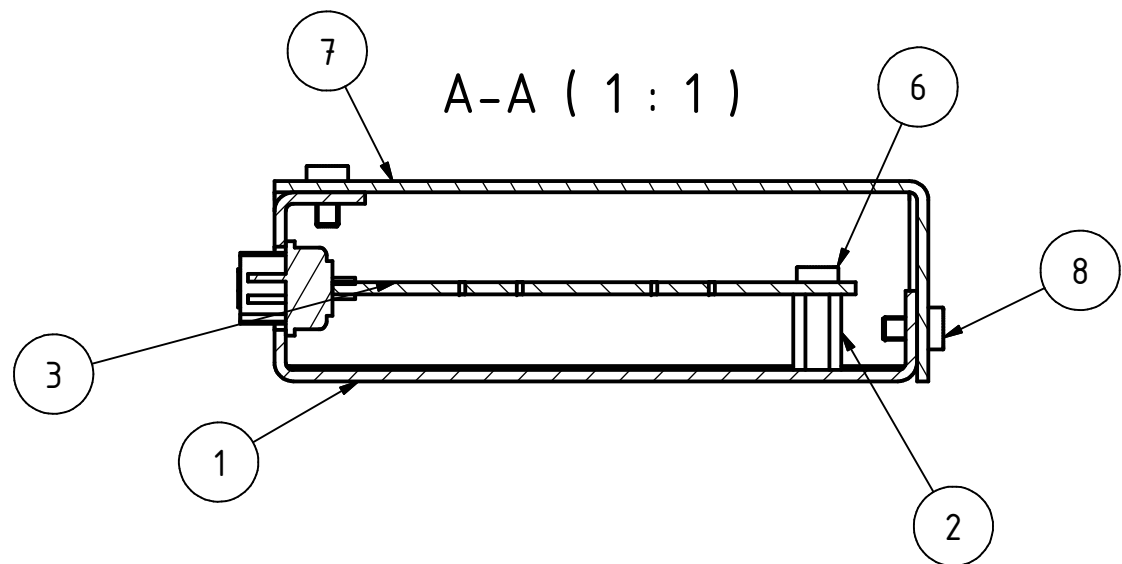
output characteristics			
The transistor output stages are active low. For each output an internal pull-up resistor of 1.5 kΩ is connected to the supply voltage			
	min	typ	max
Collector emitter voltage			30 V
Continuous collector current			30 mA

Appendix
Drawing DNR 19331



Für diese Unterlagen behalten wir uns alle Rechte vor (DIN 34)

Ges. f. Rationalisierung und Rechentechnik mbH Ob der Eck 4 78148 Gütenbach							
						Al 1.5mm natur eloxiert	
				Datum		Name	
				Gezeichnet 25.05.2010		ps	
				Kontrolliert			
				Norm			
				RR-P-523 Baugruppe Gehäuse			
				dnr19331			
				1			
				A3			
Status	Änderungen	Datum	Name				



TEILELISTE				
OBJEKT	ANZAHL	BAUTEILNUMMER	BESTANDSNUMMER	BESCHREIBUNG
1	1	dnr19329		
2	2	SW55_M3_I_10	1100	Sechskantabstandsbolzen MS M3, Lg 10 2x Innengewinde
3	1	dnr19328	13597	RR-P-523 ISCP-Umsetzer bestückt
4	2	DSUB-Verschraubung_Bolzen		
5	2	DSUB-Verschraubung_Mutter		
6	2	NF E 25-111 - M3x5 Festigkeitsklasse 4.8	11338	Sechslappiger Senkkopf - Produktklasse A - Symbol CZX
7	1	dnr19330		
8	4	NF E 25-111 - M3x6 Festigkeitsklasse 4.8	11339	Sechslappiger Senkkopf - Produktklasse A - Symbol CZX

Für diese Unterlagen behalten wir uns alle Rechte vor (DIN 34)

Ges. f. Rationalisierung und Rechentechnik mbH Ob der Eck 4 78148 Gütenbach					
		Datum	Name	RR-P-523 Baugruppe Gehäuse	
		Gezeichnet	25.05.2010 ps		
		Kontrolliert			
		Norm		dnr19331	
Status	Änderungen	Datum	Name		

2
A3